

PARTIAL-FILLED PIPE ELECTROMAGNETIC FLOW METER

**NEW
ARRIVAL**



DASTEC
URUGUAY

Representantes / Distribuidores Autorizados

🇺🇾 Dastec Uruguay S.R.L.

Tel: (+59 8) 2400 4046

Email: info@dastecsrl.com.uy

Web: www.dastecsrl.com.uy

DASTEC
PARAGUAY

Representantes / Distribuidores Autorizados

🇵🇾 Dastec S.R.L. Paraguay

Tel: (+595 9) 8310 0799

Email: info@dastecsrl.com.py

Web: www.dastecsrl.com.py



New High-tech
Enterprise



CE



Ex-proof



ISO

APPLICATION



Waste Water, Rainwater



Irrigation



Sewage

DETAILS



01

FLOW SENSOR

Suitable For
Low Flow Rate
Conductive
Liquids

Measurement
possible down
to 10% filling
of pipe



02

CONVERTER



- Big Screen LCD Backlight Display
- Multiple Data Display
Flow Rate, Water Level, Accumulated Flow, Instantaneous Flow etc
- Various Unit Options
- Multiple Signal Outputs

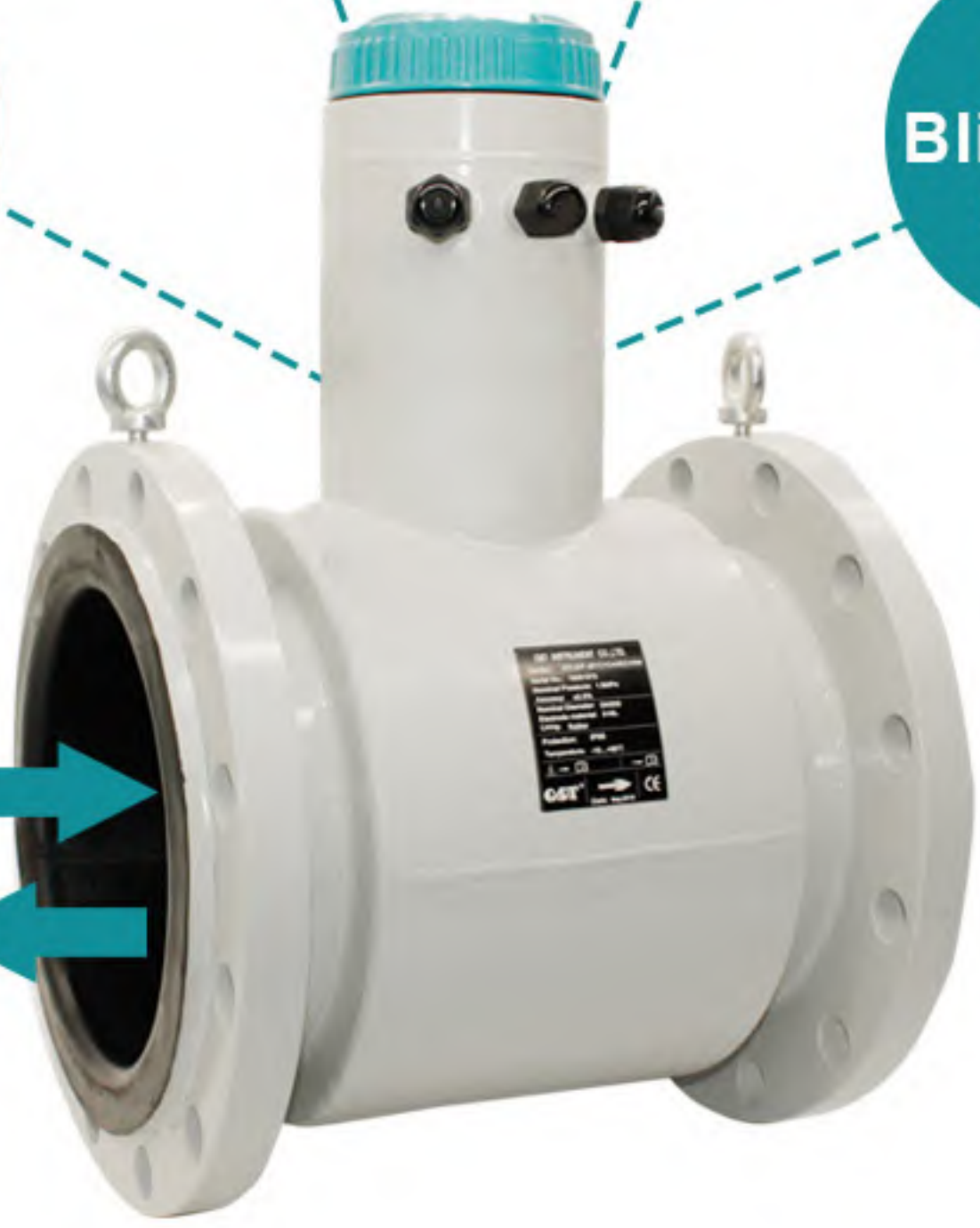
**Durable
Stable**

**Anti
Interference**

**High
Accuracy
2.5%**

**Small
Blind Zone
60mm**

**Bidirectional
Measurement**





1.

**No Pressure
Loss**

2.

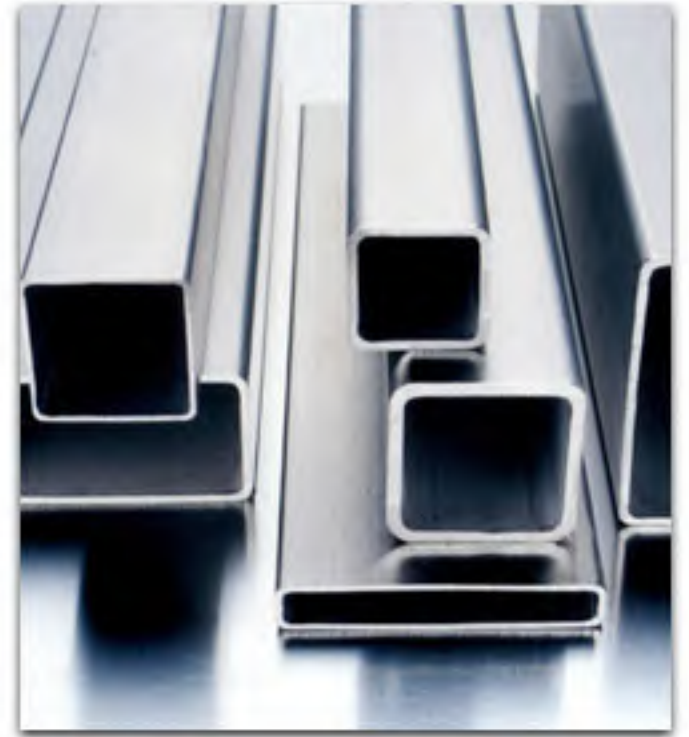
**No Need To
Close Pipe During
Installation**

3.

**Continuous
Measurement**

Pipe Shape & Material

Can Measure
Circle Tube,
Square Tube,
etc.



Apply To Cement, Carbon Steel, SS304 Pipe, etc

PARAMETER

Measuring Pipe Size	DN200-DN3000
Connection	Flange
Liner Material	Neoprene/Polyurethane
Electrode Material	SS316, TI, TA, HB, HC
Structure Type	Remote Type
Accuracy	2.5%
Output Signal	Modbus RTU, TTL electrical level
Communication	RS232/RS485
Flow speed range	0.05-10m/s
Protection Class	Converter: IP65 Flow Sensor: IP65(standard), IP68(optional)

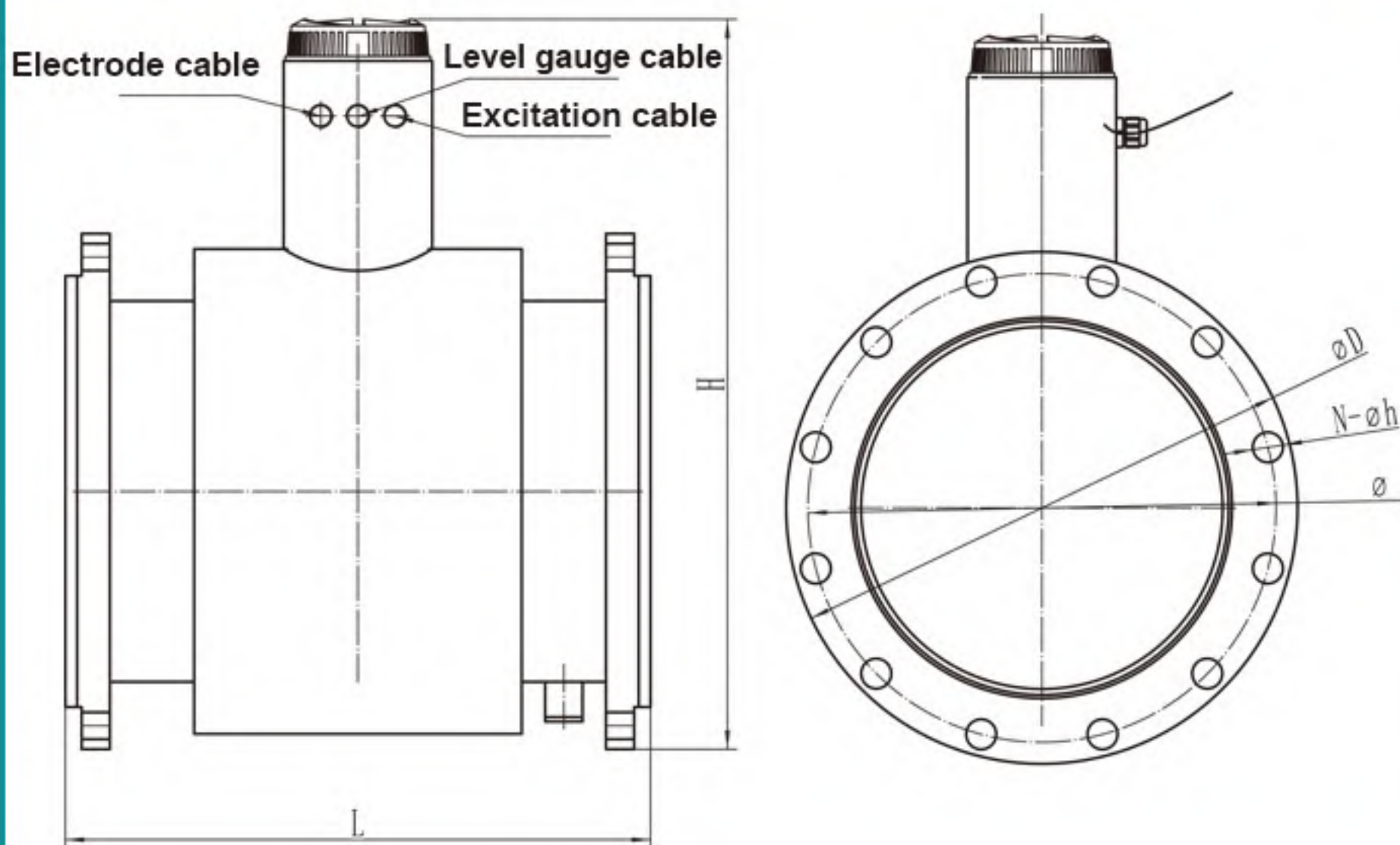
MODEL SELECTION

QTLD/F		XXX	X	X	X	X	X	X	X	X	X
Diameter (mm)	DN200-DN1000 three digit number										
Nominal pressure	0.6Mpa		A								
	1.0Mpa		B								
	1.6Mpa		C								
The connection method	The flange type			1							
Liner	neoprene				A						
Electrode materials	316L					A					
	Hastelloy B					B					
	Hastelloy C					C					
	titanium					D					
	tantalum					E					
	Stainless steel coated with tungsten carbide					F					
Structure form	Remote Type							1			
	Remote Type Diving type							2			
The power supply	220VAC 50Hz								E		
	24VDC								G		
	12V								F		
Output/communication	Volume flow 4~20mADC/ pulse									A	
	Volume flow 4~20mADC/RS232C serial communication interface									B	
	Volume flow 4~20mADC/RS485C serial communication interface									C	
	Volume flow HART protocol output									D	
Converter form	square									A	
Special tag											

Diameter (mm)	Model number
200	201
250	251
300	301
350	351
400	401
450	451
500	501
600	601
700	701
800	801
900	901
1000	102

X	
1	Grounding electrode
2	Companion flange
3	Inlet protection flange

DIMENSION



Partial-filled pipe electromagnetic flow meter drawing(DIN flange)

Diameter (mm)	Nominal pressure	L(mm)	H	ØA	ØK	N-Øh
DN200	0.6	400	494	320	280	8-Ø18
DN250	0.6	450	561	375	335	12-Ø18
DN300	0.6	500	623	440	395	12-Ø22
DN350	0.6	550	671	490	445	12-Ø22
DN400	0.6	600	708	540	495	16-Ø22
DN450	0.6	600	778	595	550	16-Ø22
DN500	0.6	600	828	645	600	20-Ø22
DN600	0.6	600	934	755	705	20-Ø26
DN700	0.6	700	1041	860	810	24-Ø26
DN800	0.6	800	1149	975	920	24-Ø30
DN900	0.6	900	1249	1075	1020	24-Ø30
DN1000	0.6	1000	1359	1175	1120	28-Ø30

CALIBRATION



Representantes / Distribuidores Autorizados

 Dastec Uruguay S.R.L.

Tel: (+59 8) 2400 4046

Email: info@dastecsrl.com.uy

Web: www.dastecsrl.com.uy



Representantes / Distribuidores Autorizados

 Dastec S.R.L. Paraguay

Tel: (+595 9) 8310 0799

Email: info@dastecsrl.com.py

Web: www.dastecsrl.com.py

0.2% calibrate device ensure our high accuracy.
Calibrate each flow meter before delivery.
Each flow meter has its own calibrate certificate.